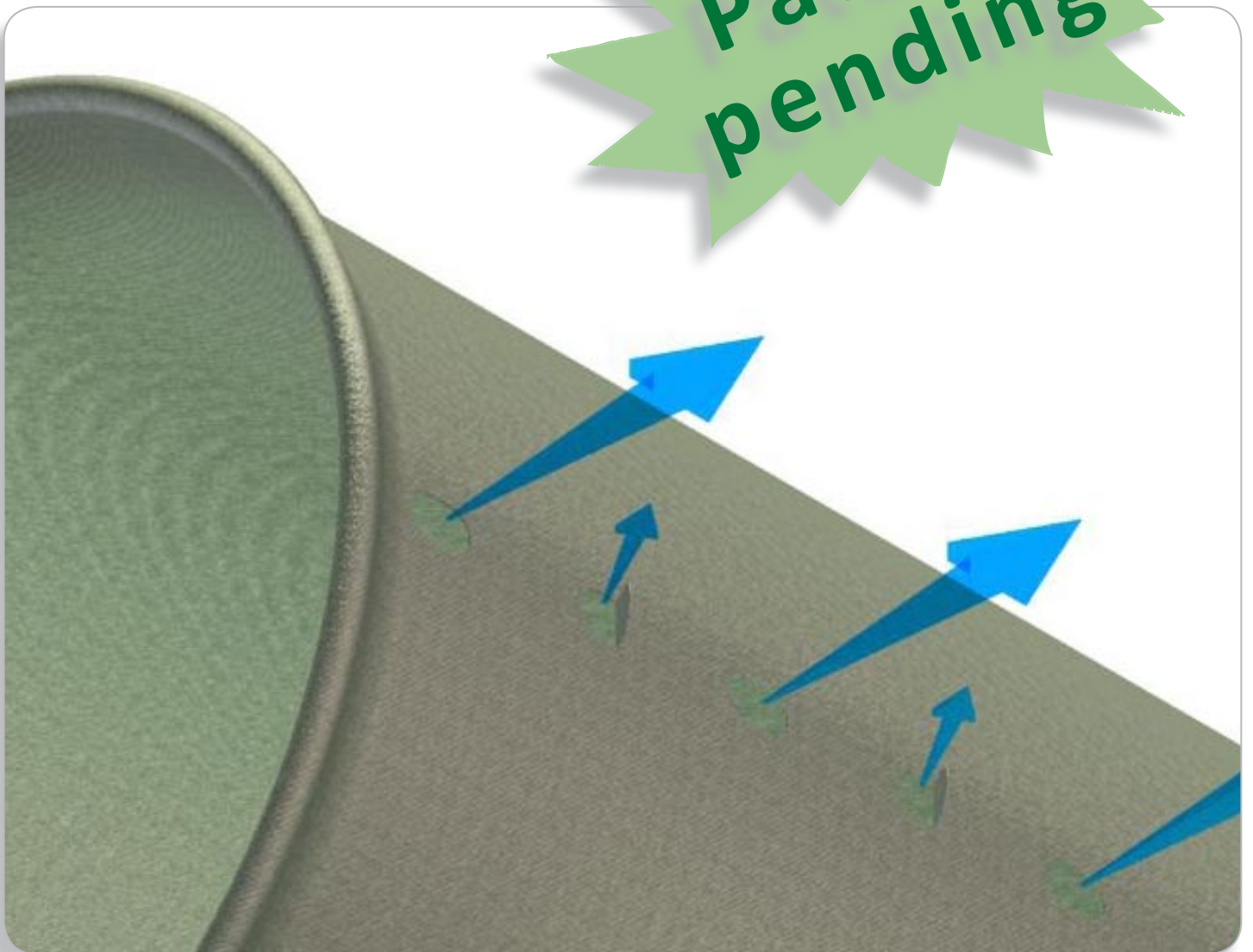




Patent  
pending



Directional Flow Control

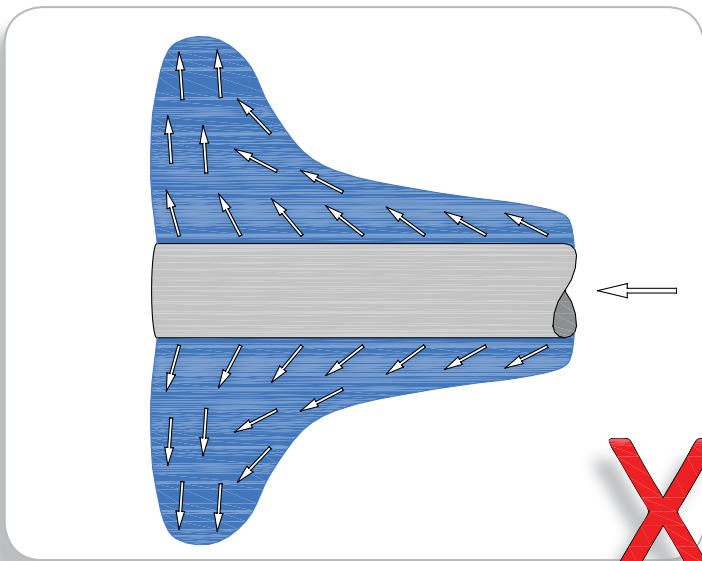
# EURO AIR Introduces Unique Flow Technology with DFC System

EURO Air has developed and patented a new type of product for fabric ducting, called Air Sox Directional Flow Control System, DFC System.

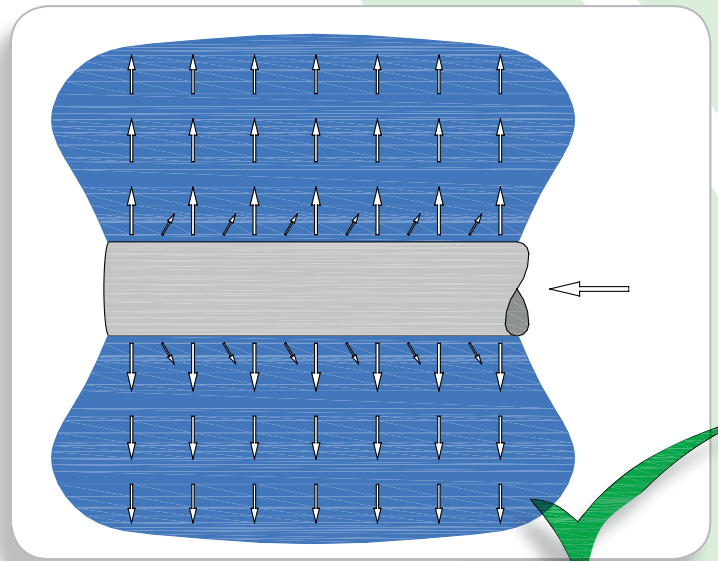
The DFC system is designed with laser cut holes in combination with flow controlling direction baffles that reduce entrainment of air along the duct and ensure 100 % uniform air distribution. The direction baffles discharge the air at a pressure dependent angle, ensuring the main flow to be perpendicular to the axial direction of the fabric duct.

The DFC System is available in round, half round and quarter round ducts in all types of permeable fabric, both Trevira® CS and Standard Polyester.

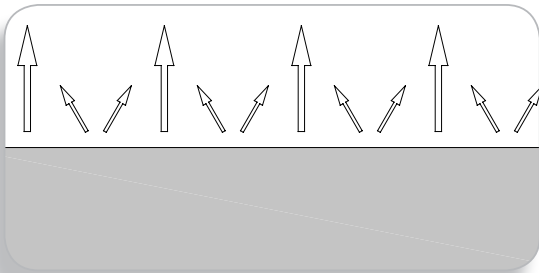
Conventional system with perforations



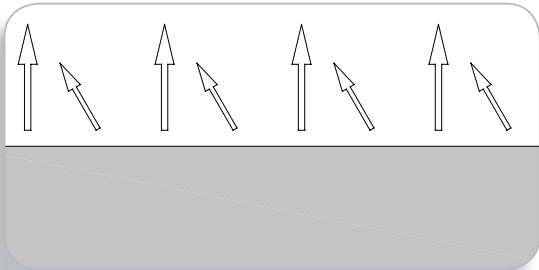
EURO AIR DFC System



Double directional flow control

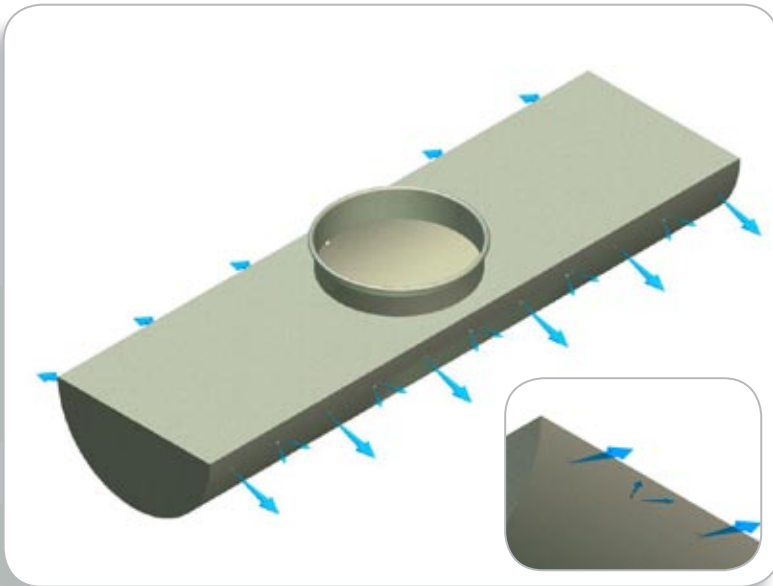


Single directional flow control



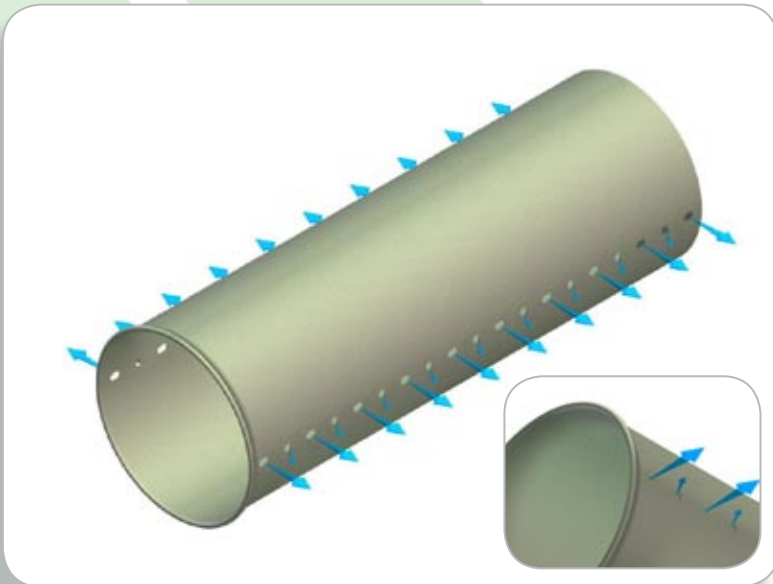
## Benefits

- The DFC System will reduce problems with entrainment
- The DFC System will ensure uniform air distribution with Single or Double Directional Flow Control
- The DFC System is available in 3 different models: DFC Comfort, DFC Induction and DFC Long Throw.
- The DFC System covers a wide range of applications and segments
- The DFC System is laser cut in permeable materials
- The DFC System is washable



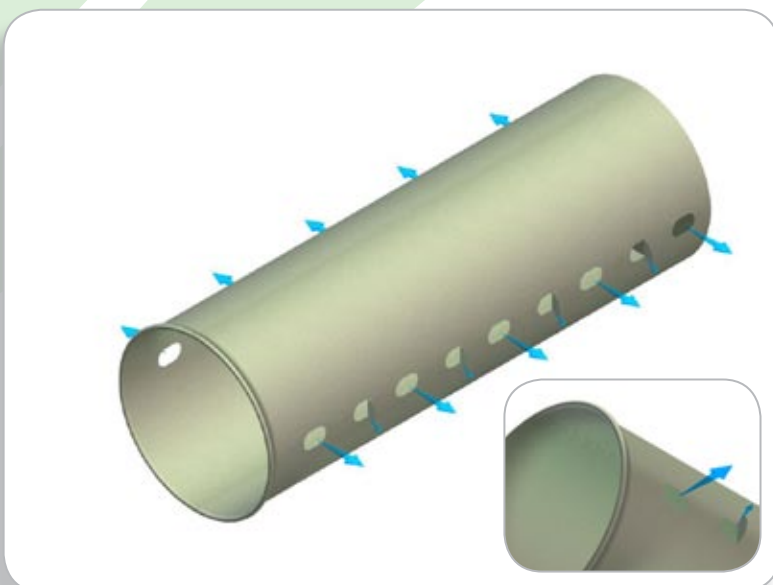
## DFC - Comfort

- Customized solutions for cooling, heating and ventilation in areas with high demands on comfort
- Uniform air distribution with Double Directional Flow Control
- Air flow through orifices 7-20 m<sup>3</sup>/h/m (60 Pa)
- Typical applications: Offices, Schools, Canteens, Auditoriums, Cinemas etc.
- Laser cut in Trevira® CS or Standard Polyester



## DFC - Induction

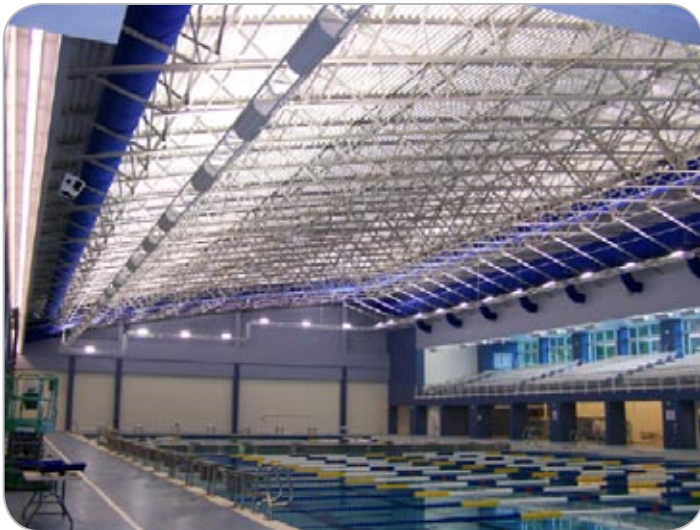
- Customized solutions for cooling, heating and ventilation in areas with medium demands on comfort
- Uniform air distribution with Single Directional Flow Control
- Air flow through orifices 30-90 m<sup>3</sup>/h/m (120 Pa)
- Typical applications: Fitness centres, Showrooms, Exhibitions, Museums, Supermarkets, Vehicle Workshops, Light Industry etc.
- Laser cut in Trevira® CS or Standard Polyester



## DFC - Long Throw

- Customized solutions for cooling, heating and ventilation in areas with medium or no demand on comfort
- Uniform air distribution with Single Directional Flow Control
- Air flow through orifices 65-370 m<sup>3</sup>/h (120 Pa)
- Typical applications: Sports Centres, Warehouses, Hyper Markets, Distribution Centres etc.
- Laser cut in Trevira® CS or Standard Polyester

## Typical DFC applications



Distributor:



Euro Air A/S  
Industrivej Vest 21  
DK-6600 Vejen  
Tel.: +45 74 84 28 80  
Fax: +45 74 84 28 81  
mail: [info@euroair.dk](mailto:info@euroair.dk)  
web: [www.euroair.eu](http://www.euroair.eu)